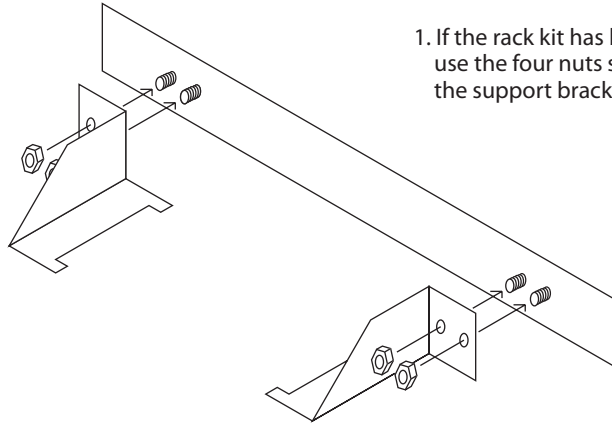
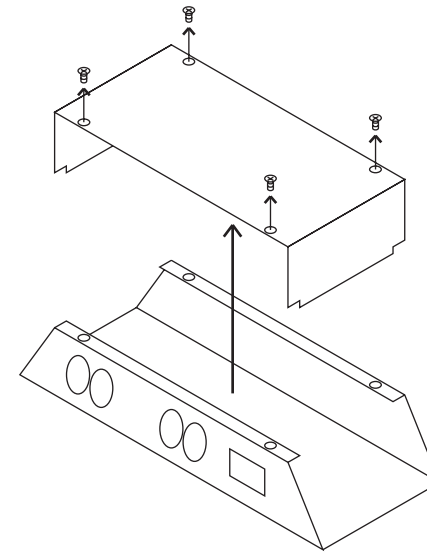


## RACK-IT Assembly Instructions

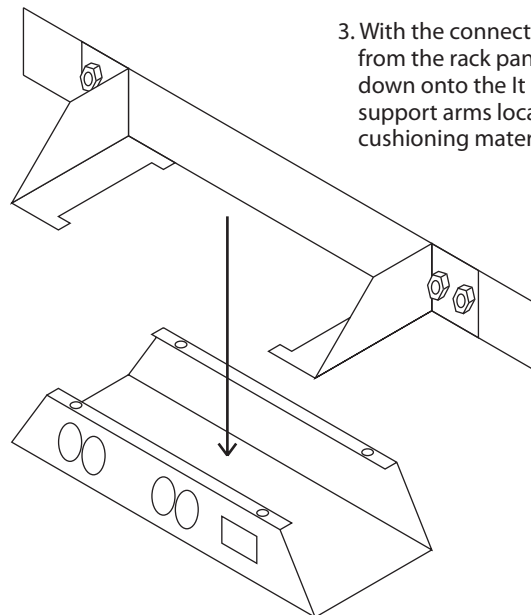
V1.00 © ProAVM 2006



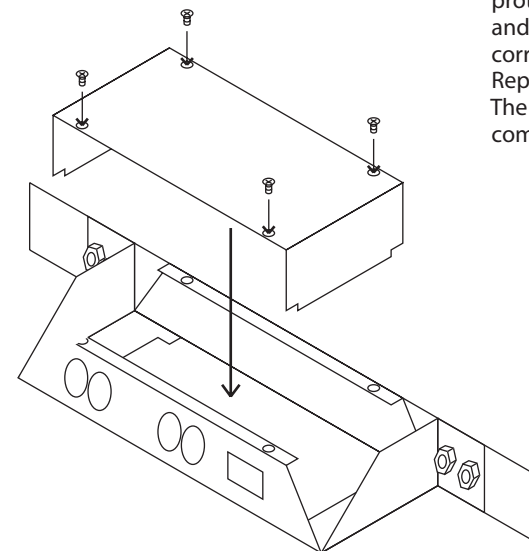
1. If the rack kit has been supplied unassembled, use the four nuts supplied to securely fasten the support brackets to the rack panel studs.



2. Disconnect all leads from the Solutions unit. Using a cross-headed screwdriver, remove the four screws holding down the lid of the unit, store them carefully, and lift away the lid. Do not detach the protective earth wire.



3. With the connectors on the unit facing away from the rack panel, lower the rack kit assembly down onto the It range unit such that the side support arms locate within the base. The cushioning material will make this a close fit.



4. Replace the lid of the unit, ensuring that the protective earth wire does not become trapped and that the tongues on the support arms locate correctly into the lid cutouts. Replace the four lid fixing screws and tighten up. The cushioning material will be slightly compressed to ensure secure mounting.